

THE INFORMATION CONTAINED IN THIS DRAWING IS THE SOLE PROPERTY OF SUNRISE TELECOM INC. ANY REPRODUCTION IN PART OR WHOLE WITHOUT THE WRITTEN PERMISSION OF SUNRISE TELECOM INC. IS PROHIBITED.

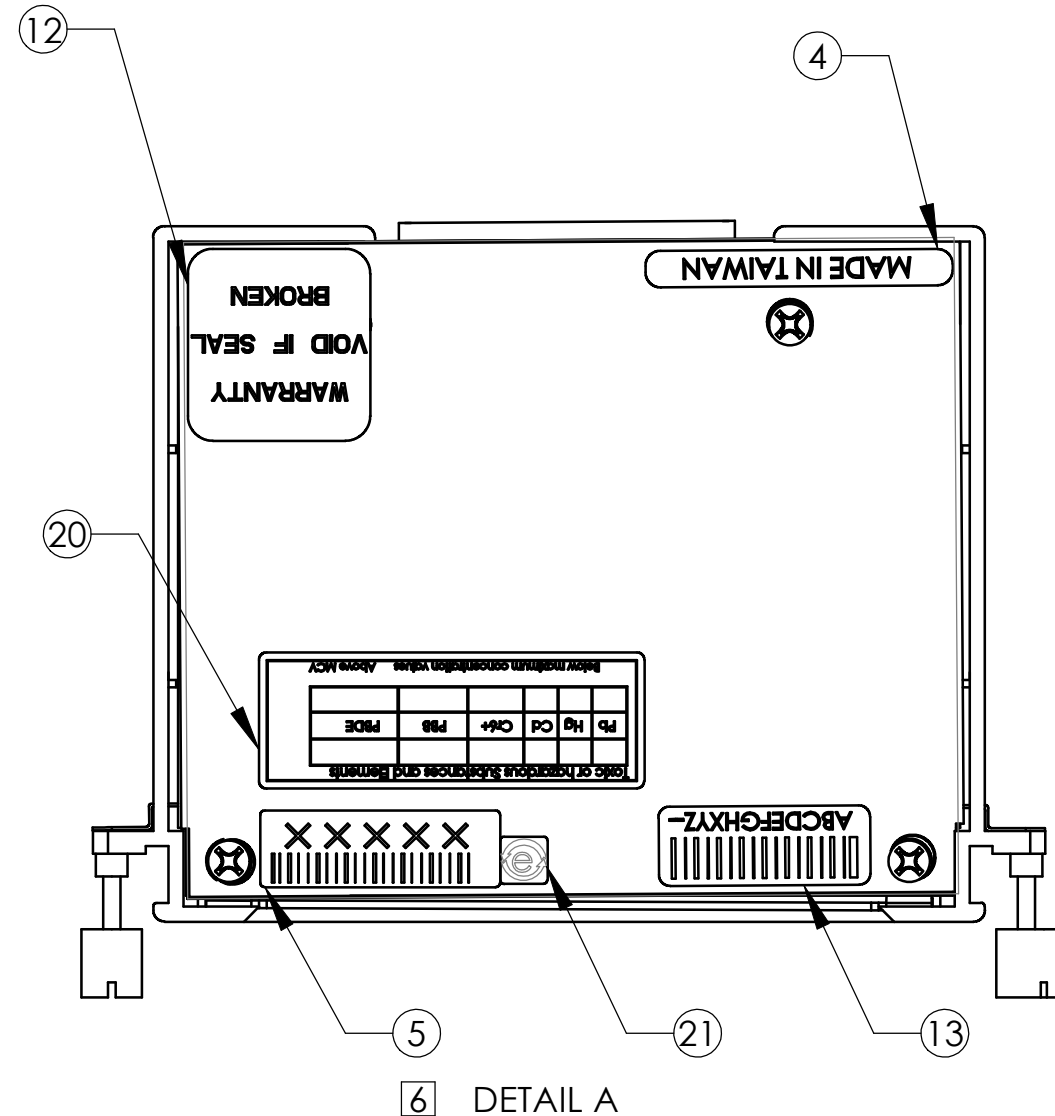
REVISIONS			
REV.	DESCRIPTION	DATE	APPROVED
B00	REVISED PER ECO-9661		

NOTES: UNLESS OTHERWISE SPECIFIED.

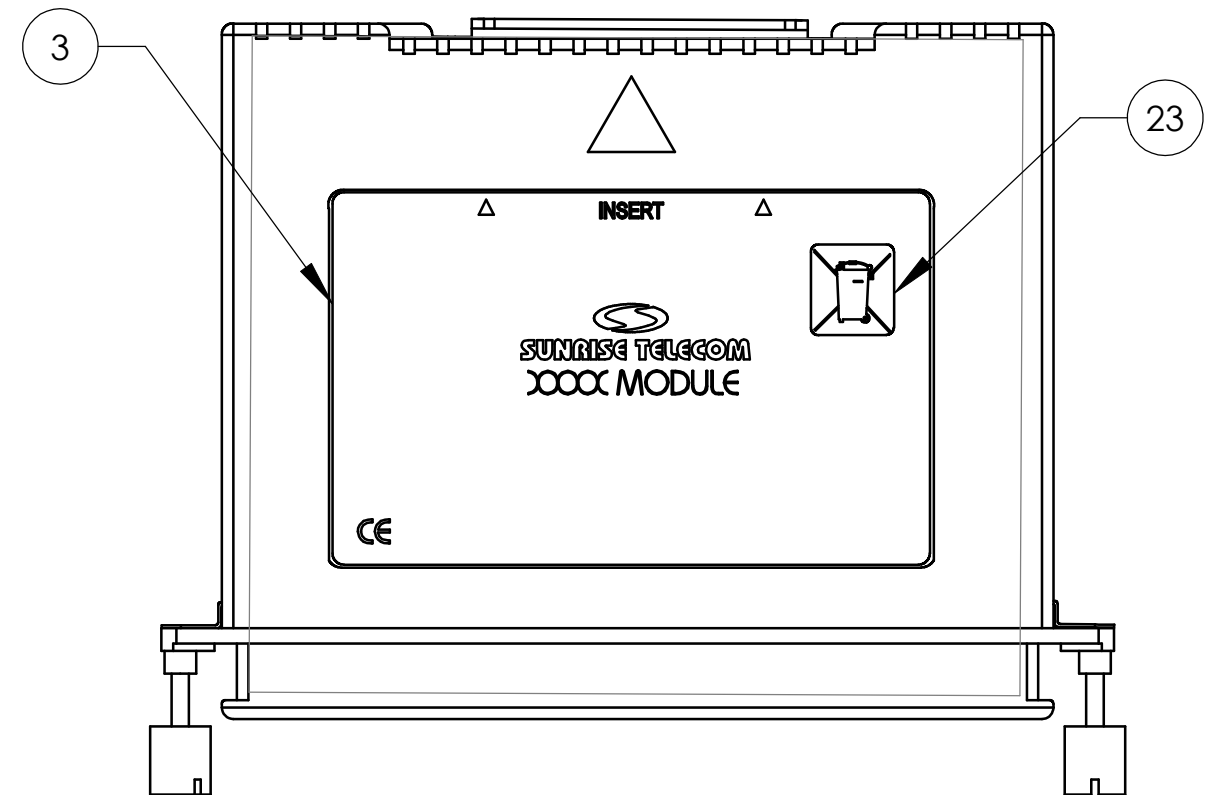
1. INSERT ITEM 2 INTO ITEM 1 AS SHOWN.
2. INSERT ITEM 10 INTO ITEM 1 AS SHOWN.
3. ATTACH ITEM 8 OVER ITEM 10 AND SECURE WITH ITEM 7 AND ITEM 9. ITEM 9 SHOULD BE BETWEEN ITEM 8 AND ITEM 10.
4. PEEL OFF PROTECTIVE BACKING AND FIRMLY PRESS ITEM 6 TO ONTO ITEM 8. ALIGN ALL EDGES OF ITEM 6 AND ITEM 8.
5. PEEL OFF PROTECTIVE BACKING AND FIRMLY PRESS ITEM 3 TO ITEM 1 AS SHOWN.
6. PEEL OFF PROTECTIVE BACKING AND FIRMLY PREESES ITEM 4, ITEM 5, ITEM 12, ITEM 13, AND ITEM 14 ONTO ITEM 6 WHERE SHOWN. SEE DETAIL A.
7. INSERT ITEM 11 THROUGH ITEM 15, AND ITEM 16, INTO ITEM 1 AT NEXT ASSEMBLY PROCESS.

90X WEEE RECYCLING NOTE: HANDLE AND REMOVE ACCORDING TO WEEE DIRECTIVE 2002/98/EC-ANNEX 2. ALSO APPLIES TO EXTERNAL CABLES IF PRESENT. NOT ALL BOX NOTES IN 90X SERIES MAY BE USED WITH THIS PRODUCT; SEE EXPLODED VIEW(S) FOR APPLICABLE SUBSTANCE NOTE (S). FOR WEEE RECYCLING ONLY.

901	PCB ASSEMBLY (PCBA)
902	LIQUID CRYSTAL DISPLAY (LCD)
903	ALUMINUM ELECTROLYTIC CAPACITORS
904	CERAMIC FIBERS
905	BATTERY



6 DETAIL A



SEE SEPARATE BILL OF MATERIALS
PN: ASY-22603-001

UNLESS OTHERWISE SPECIFIED DIMENSIONS ARE IN MM (INCHES) AND APPLY OVER FINISH

TOLERANCES ARE:

.X	= ± 0.10 [.04]
.XX	= ± 0.50 [.02]
.XXX	= ± 0.250 [.010]
ANGLES	= ± 1°

DO NOT SCALE DRAWING

MATERIAL	-
FINISH	-
DESIGN ACTIVITY: (SEE AGILE FOR CODE)	

CAD GENERATED DRAWING DO NOT MANUALLY UPDATE	
APPROVALS	DATE
DRAWN C OSUNA	2/26/08
PROJ. ENG.:	
PROD. ENG.:	
PROD. DIR.:	
PMC:	

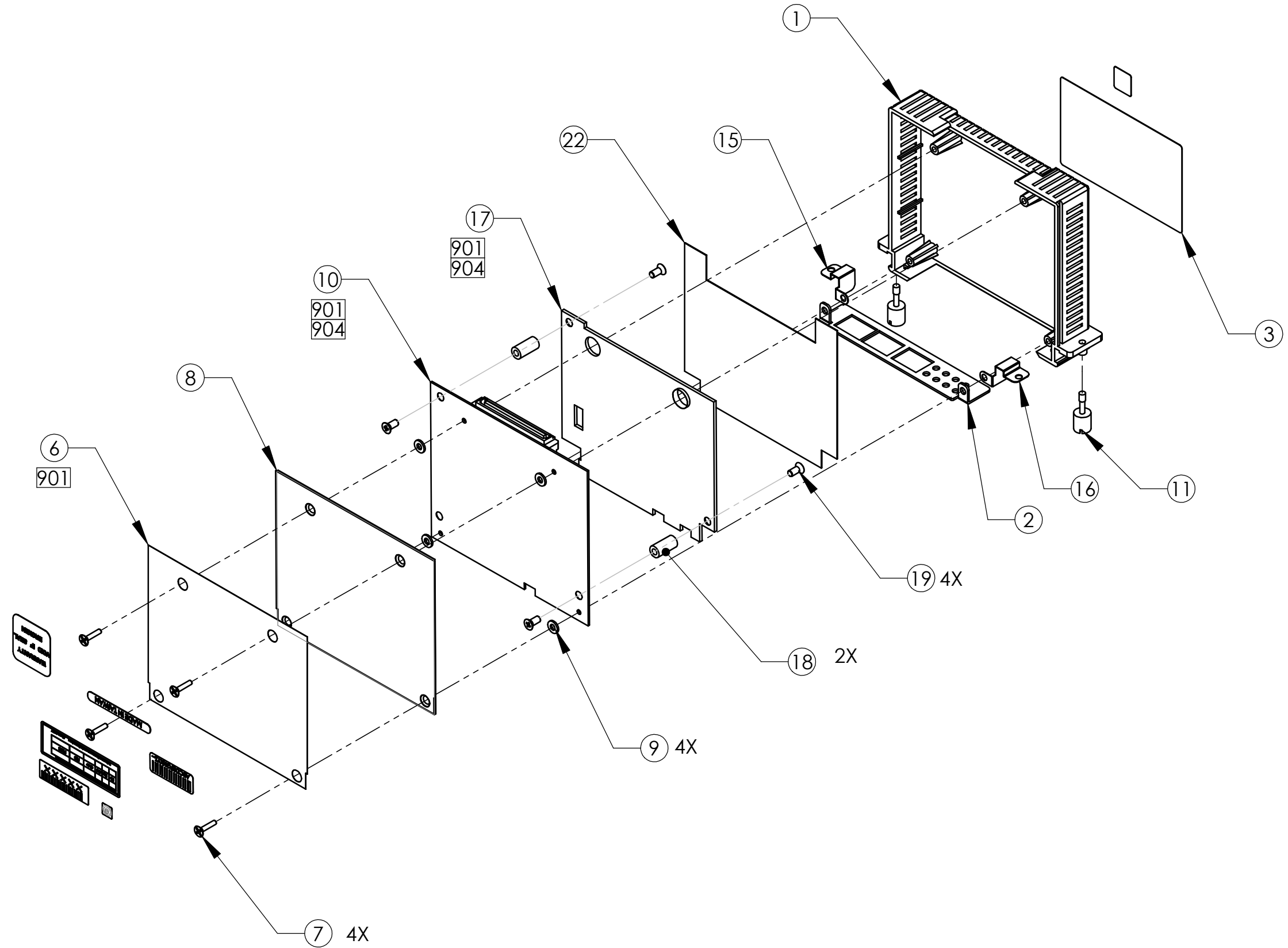
SUNRISE TELECOM INCORPORATED
302 ENZO DRIVE, SAN JOSE, CA 95138-1860
PHONE: 1-408-363-8000 FAX: 1-408-363-8313

TITLE:
**SSMTT-19A-TP,G
TI,ADSL/2+,ATR MODULE,2PORTS
ANNEX A, DOC**

SIZE B	DWG. NO. ASY-22603-XXX	REV. B00
-----------	----------------------------------	--------------------

SCALE: NONE SAVED AS: ASY-22603-XXX_800.SLDRW SHEET 1 OF 2

THE INFORMATION CONTAINED IN THIS DRAWING IS THE SOLE PROPERTY OF SUNRISE TELECOM INC. ANY REPRODUCTION IN PART OR WHOLE WITHOUT THE WRITTEN PERMISSION OF SUNRISE TELECOM INC. IS PROHIBITED.



SIZE B	DWG. NO. ASY-22603-XXX	REV. B00
SCALE: NONE	SAVED AS: ASY-22603-XXX.SLDDRW	SHEET 2 OF 2